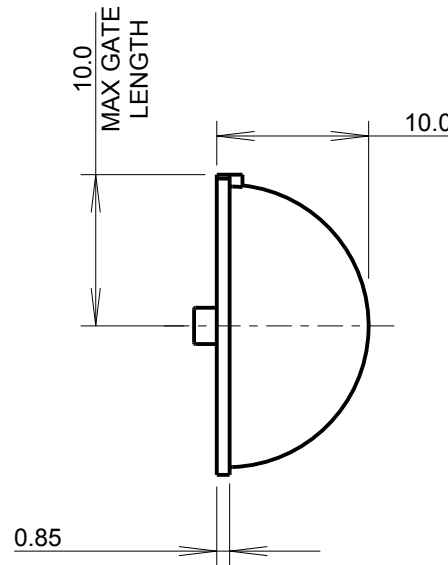
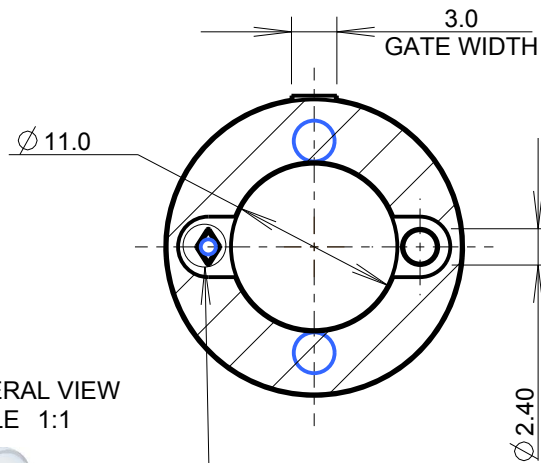
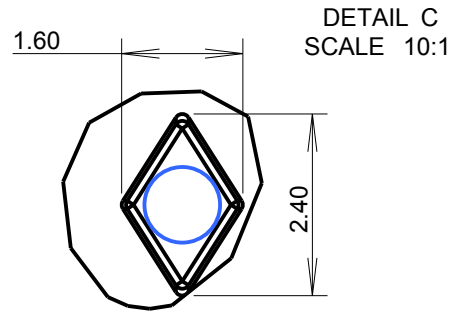
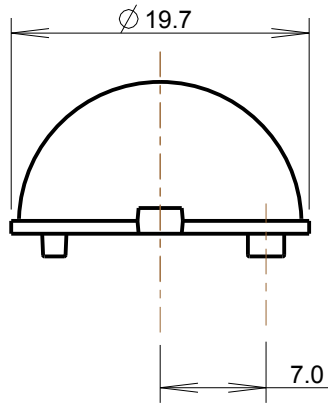


ISS.	DATE	E.C.N.	DESCRIPTION
1	10-Apr-08		FIRST ISSUE

19513-LN

CUSTOMER DRAWING

SCALE 2:1



MATERIAL: POLYCARBONATE

CARCLO TECHNICAL PLASTICS (SLOUGH)
111 BUCKINGHAM AVE, SLOUGH
SL1 4PF, ENGLAND
TEL: +44 1753 575011 FAX: +44 1753 811359
e-mail: design@carclo-optics.com}

GENERAL TOLERANCES (UNLESS STATED)

LINEAR	ANGULAR
X +/- 0.25	X +/- 1°
X.X +/- 0.1	X.X +/- 0.5°
X.XX +/- 0.05	X.XX +/- 0.1°

CUSTOMER

CARCLO

TITLE

120 DEGREE LED
BUBBLE OPTIC

DRAWN AJD DATE 10-Apr-08

CHK'D MB DATE 10-Apr-08

APP'D AJD DATE 10-Apr-08

SCALE	CARCLO PART No.
2:1	10403

SIZE	CARCLO DRG. No.	SHEET
A4	60521	1 OF 2

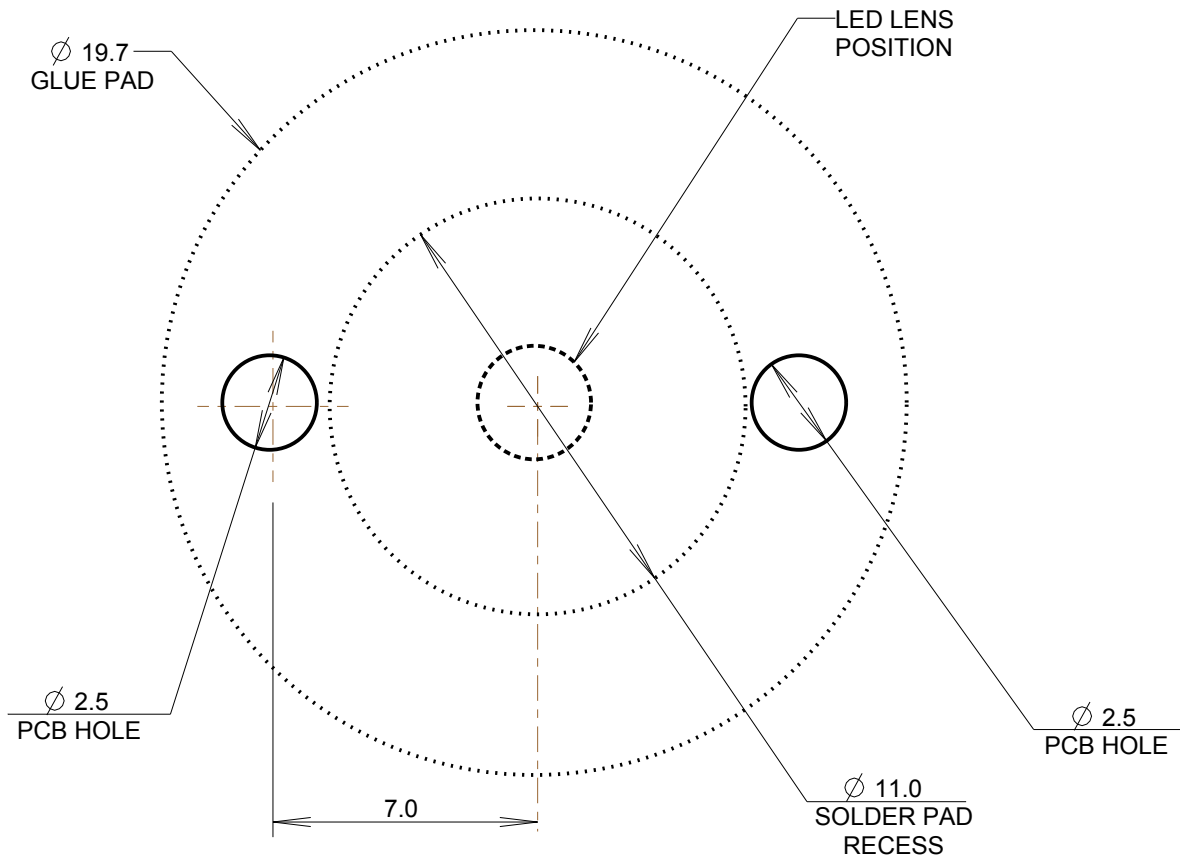


DIAMOND DOWEL
SEE DETAIL C

ISS.	DATE	E.C.N.	DESCRIPTION
1	10-Apr-08		FIRST ISSUE

19513-LN

PCB GLUE PAD AND ALIGNMENT HOLE LAYOUT DIMENSIONS



NOTE: THE CLOSEST THAT TWO OR MORE LENSES CAN BE PLACED TOGETHER WITHOUT OBSCURATION IS 27MM BETWEEN CENTRES.

<p>CARCLO TECHNICAL PLASTICS (SLOUGH) 111 BUCKINGHAM AVE, SLOUGH SL1 4PF, ENGLAND TEL: +44 1753 575011 FAX: +44 1753 811359 e-mail: design@carclo-optics.com}</p>										
<p>GENERAL TOLERANCES (UNLESS STATED)</p> <table border="0"> <thead> <tr> <th>LINEAR</th> <th>ANGULAR</th> </tr> </thead> <tbody> <tr> <td>X +/- 0.25</td> <td>X +/- 1°</td> </tr> <tr> <td>X.X +/- 0.1</td> <td>X.X +/- 0.5°</td> </tr> <tr> <td>X.XX +/- 0.05</td> <td>X.XX +/- 0.1°</td> </tr> </tbody> </table>			LINEAR	ANGULAR	X +/- 0.25	X +/- 1°	X.X +/- 0.1	X.X +/- 0.5°	X.XX +/- 0.05	X.XX +/- 0.1°
LINEAR	ANGULAR									
X +/- 0.25	X +/- 1°									
X.X +/- 0.1	X.X +/- 0.5°									
X.XX +/- 0.05	X.XX +/- 0.1°									
<p>CUSTOMER CARCLO</p>										
<p>TITLE 120 DEGREE LED BUBBLE OPTIC</p>										
DRAWN	DATE									
AJD	10-Apr-08									
CHK'D	DATE									
MB	10-Apr-08									
APP'D	DATE									
AJD	10-Apr-08									
SCALE	CARCLO PART No.									
5:1	10403									
SIZE	CARCLO DRG. No.	SHEET								
A4	60521	2 OF 2								