

---

# LED Module Specifications

## PRODUCT SPECIFICATION

### Applications:

- Channel Letters
- Lighting source for shop windows
- Indoor Decoration Lighting
- Advertising Signs
- Replacement for Neon



CUSTOMER APPROVED SIGNATURES	APPROVED BY	CHECKED BY	PREPARED BY

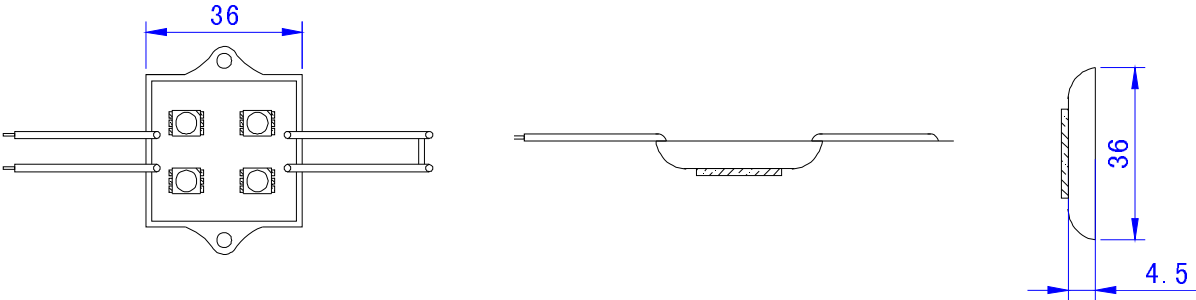


# 19445-OP

## Photo



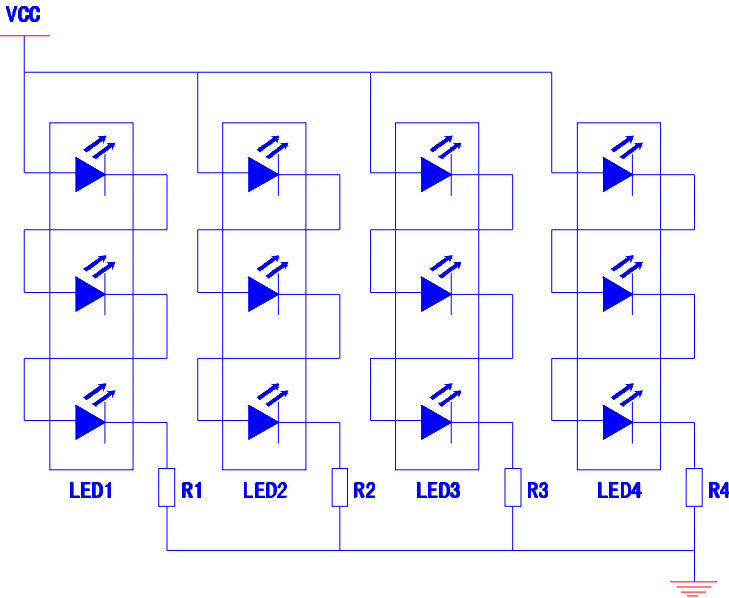
## Drawing



### Notes:

- 1. All dimensions are millimeters.
- 2. Tolerance is  $\pm 1$ mm unless otherwise specified.
- 3. Specifications are subject to change without notice.
- 4. Dimension: L36\*W36\*H7mm.without prior notice.
- 5. Can be cut or connected every four LEDs.

## Circuit Diagram(a single group)



# 19445-OP

## ■ Rating Electrical/Optical Characteristics(1 PC)

Item	Red	Yellow	Blue	Green	White
Operation Voltage(V)	DC12	DC12	DC12	DC12	DC12
Power Dissipation(V)	0.96	0.96	0.96	0.96	0.96
Input Current(mA)	80	80	80	80	80
Wavelength(nm)	625-635	590-594	465-475	515-525	CCT:5000K-6500K
Single LED Luminous Intensity(MCD)	1500	1500	1200	5000	6000
Luminous Flux(lm)	25.2	25.2	16.8	50.4	72
Angle(°)	120				
Operation Temperature(°C)	-20~60				
single LED Operating Current(mA)	20				
LED Quantity(pcs)	4				
Dimension:(mm)	L36*W36*H7				
Life Time(hrs)	50000				
net weight:(g)	20				
Approval	CE (NO: E8 06 01 57489 001)				

## ■ Rating Electrical/Optical Characteristics(20 PC)

Item	Red	Yellow	Blue	Green	White
Power Dissipation	19.2W	19.2W	19.2W	19.2W	19.2W
Total Length	2.0m±0.1m	2.0m±0.1m	2.0m±0.1m	2.0m±0.1m	2.0m±0.1m
Input Current(mA)	1200	1200	1200	1200	1200
Weight	400g	400g	400g	400g	400g



# 19445-OP

---

## ■ Package(5 meters)

The backsides of all products will stick '3M' branded double-sided sticker with 28mm width.

