

# 18886-MS

## TAMAGAWA 1.8 deg. Stepmotor

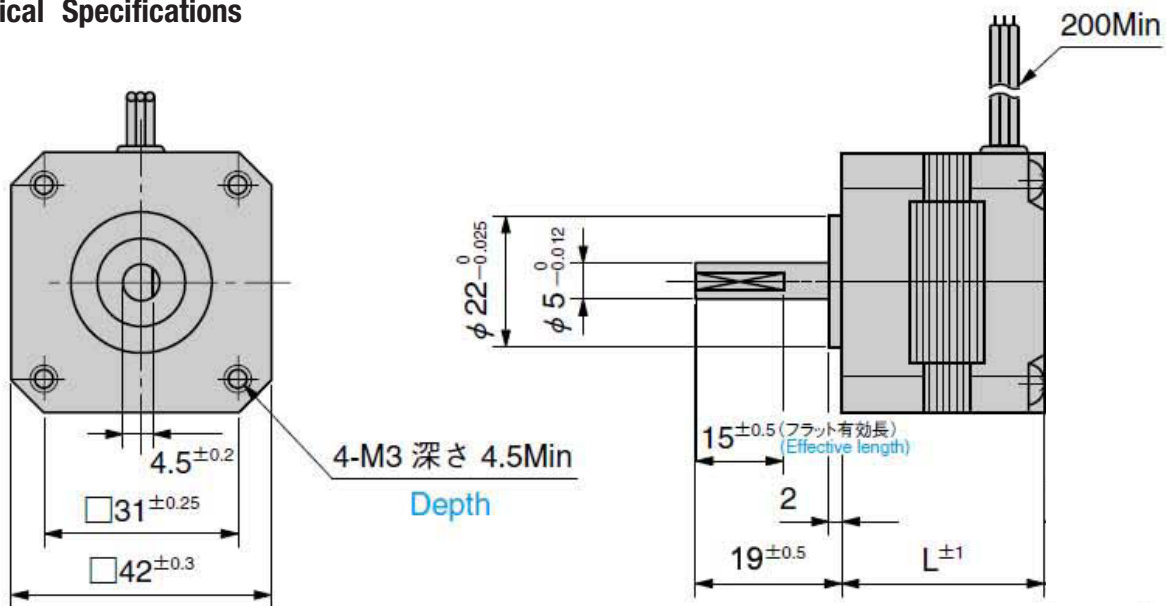
### General Specifications

Step Angle	-----	1.8Deg.
Insulation Resistance	-----	500V/100M Ohm
Ambient Temperature	-----	-20-50C
Temperature Rise	-----	80Cmax
Radial Play	-----	.02mm Max
End Play	-----	0.075mm
Shaft	-----	Steel-5mmDia

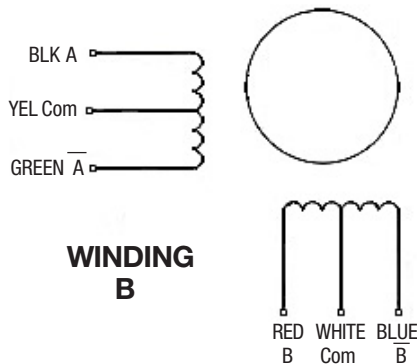
### Electrical Specifications

STOCK #	NEMA	P/N	VOLTS	AMPS	IND.	OHMS	HOLD TORQ	TYPE	WINDING	L (BODY)	SHAFT L	WT.
18886-MS	17	TS3617N3E9	7.2VDC	.8	79.5mH	9	3.2Kg/cm	4 Phase/Uni-Polar	B	47mm	19mm Flat	.75

### Mechanical Specifications



### Motor Wiring



CW rotation from Shaft end

STEP	A	B	$\bar{A}$	$\bar{B}$	COM.
1	-	-			+
2		-	-		+
3			-	-	+
4	-			-	+



**MARLIN P. JONES & ASSOC., INC.**

P.O. Box 530400 Lake Park, Fl 33403

800-652-6733 FAX 561-844-8764

WWW.MPJA.COM