

18885-MS

24V, 3.6deg. HOWARD

MFG: HOWARD **P/N:** 1-19-4201

COIL: 24V/.16A/140ohm/68mH

NEMA: 17

Uni-Polar 5 lead

600gm/cm (8.32oz/in) holding torque. 3/16" dia. X

7/16" shaft. 2 corner mounting studs. 7" leads.

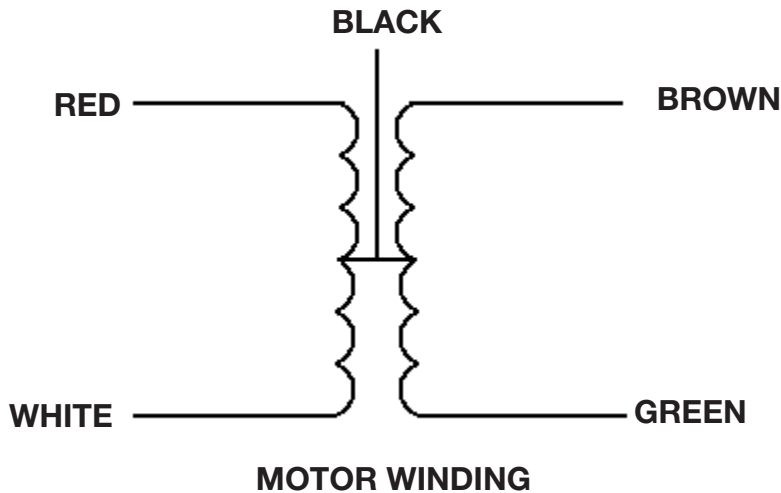
SQ: 1-5/8" L: 1-1/2" (Body) WT: .6

BLACK: POWER + (Common)

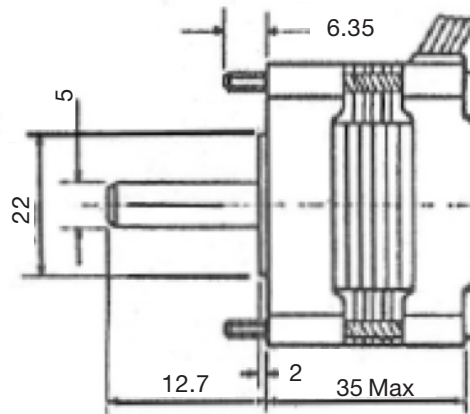
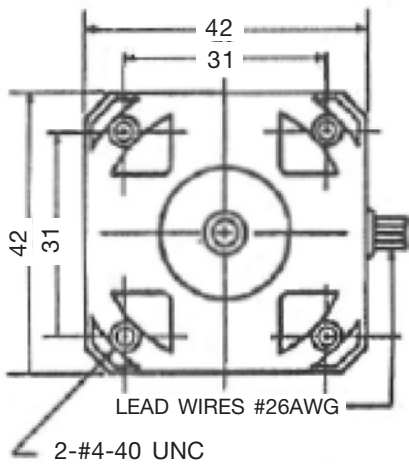
RED: $\frac{A}{A}$ BROWN: $\frac{B}{B}$

WHITE: $\frac{A}{A}$ GREEN: $\frac{B}{B}$

If motor is jerky or just moves back and forth:
Reverse the RED & WHITE



STEP	A	B	\bar{A}	\bar{B}	COM.
1	-	-			+
2		-	-		+
3			-	-	+
4	-			-	+



MARLIN P. JONES & ASSOC., INC.

P.O. Box 530400 Lake Park, FL 33403

800-652-6733 FAX 561-844-8764

WWW.MPJA.COM