

18867-MS

1.8Deg. NEMA 17 STEPMOTOR

MFG: JAPAN SERVO

P/N: KH42JM2-070

NEMA: 17

COIL: 3.4V/3.2ohms/2.5uH

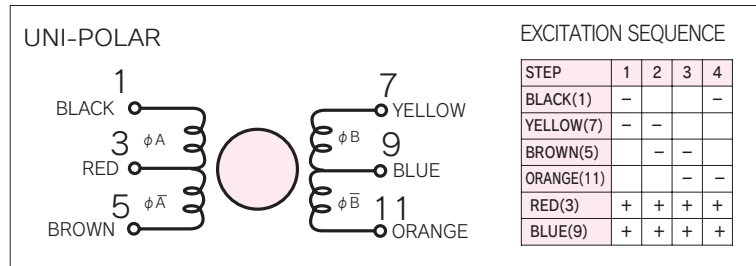
TYPE: 2 Phase Uni-Polar 6 lead

STEP ANGLE:1.8 deg

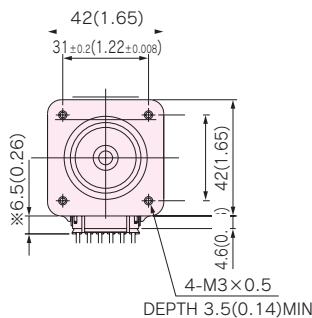
Custom motor with a flatted 5mm dia. X 7/8" steel shaft with a 7/8" dia., 36 tooth, Removable plastic cog belt gear. Ball bearings, 7" leads, 4 M3-0.5mm threaded corner mounting holes. Removable vibration pad & steel bracket.

L: 1-9/16"(Body) SQ: 1-5/8" WT: .7

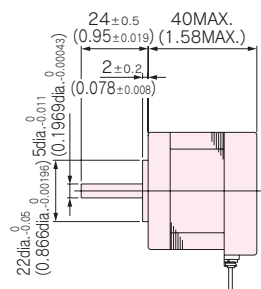
CONNECTION DIAGRAMS



MECHANICALDRAWING (Reference Only)



UNI-POLAR



SINGLE SHAFT

Information obtained from or supplied by Mpja.com or Marlin P. Jones and Associates inc. is supplied as a service to our customers and accuracy is not guaranteed nor is it definitive of any particular part or manufacturer. Use of information and suitability for any application is at users own discretion and user assumes all risk.



MARLIN P. JONES & ASSOC., INC.

P.O. Box 530400 Lake Park, FL 33403

800-652-6733 FAX 561-844-8764

WWW.MPJA.COM