

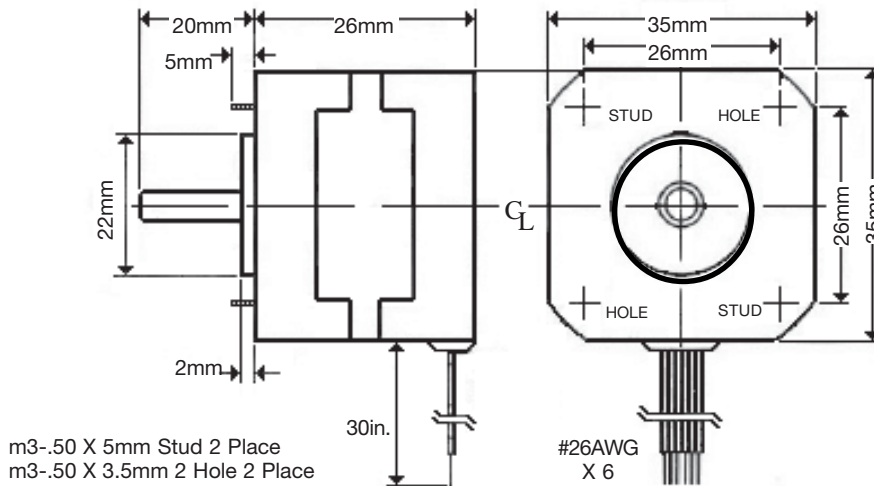
18689-MS

12V Stepmotor

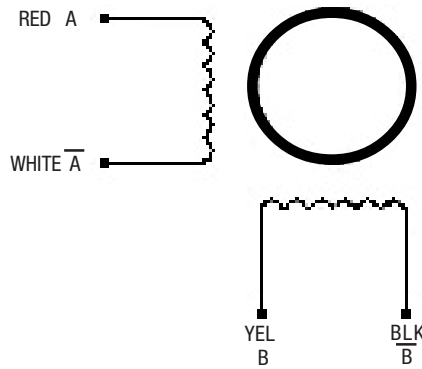
General Specifications

P/N ----- 35BH28-050A (35BYG305)
 NEMA Size ----- 14
 Coil ----- 12VDC/20 Ohms/20mH
 Step Angle ----- 1.8Deg.
 Holding Torque ----- 1.2kg/cm
 Type ----- 2 Phase Bi-Polar 4 lead
 Insulation Resistance ----- 500V/100M Ohm
 Ambient Temperature ----- 20-50C
 Temperature Rise ----- 80Cmax
 Radial Play ----- .02mm Max
 End Play ----- 0.08mm max
 Shaft ----- Steel-5mmDia X 18mm Long

L: 1-1/8"Body **Sq:** 1-3/8" **WT:** .35



Motor Wiring



Information obtained from or supplied by Mpja.com or Marlin P. Jones and Associates inc. is supplied as a service to our customers and accuracy is not guaranteed nor is it definitive of any particular part or manufacturer. Use of information and suitability for any application is at users own discretion and user assumes all risk.



MARLIN P. JONES & ASSOC., INC.

P.O. Box 530400 Lake Park, FL 33403
 800-652-6733 FAX 561-844-8764
 WWW.MPJA.COM