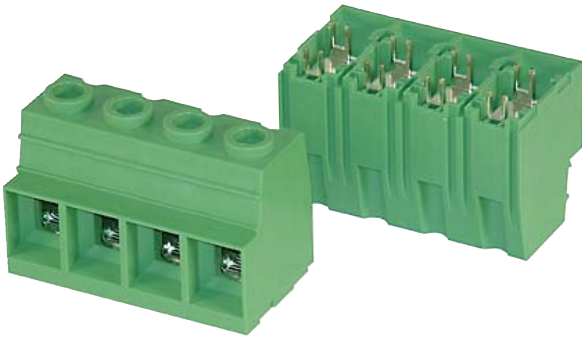


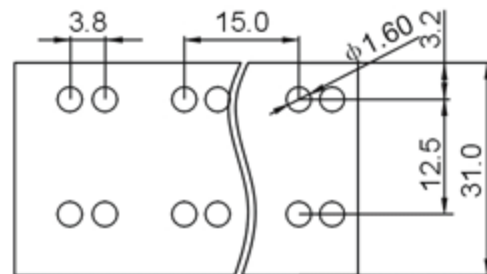
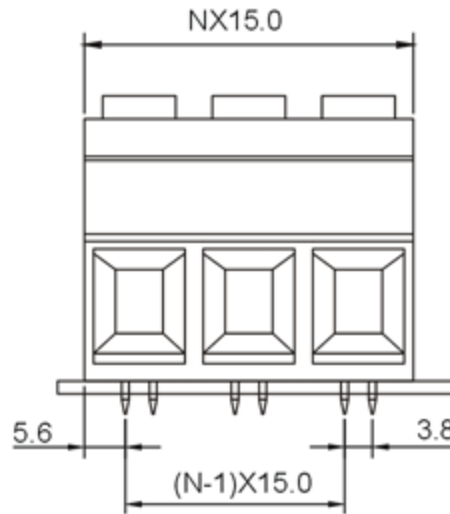
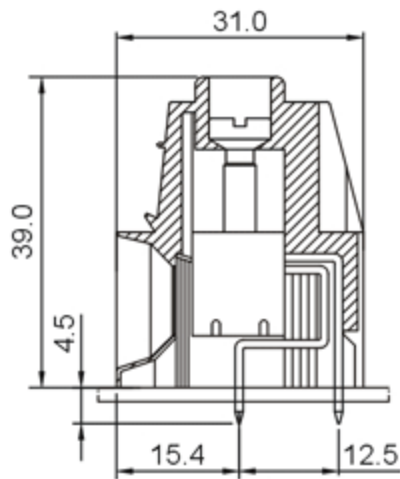
# 18522 -TS

**Model: AOTE104C1530**



Capability	
Rated voltage/Rated current	1000V/90A
Wire range	20-2 AWG, 35.0 mm <sup>2</sup>
Withstanding voltage	AC3000V/1Min
Insulation resistance	5000MΩ/DC1000V
Contact resistance	20 mΩ
Temp. Range	-40°C~+105°C
Torque	2.0 N.m (15.4Lb.in)
Strip length	10 mm

Specification	
Housing	PA66, UL94V-0
Screws	M5, steel, Zinc plated
Wire guard	Brass, Ni plated
Pin header	Copper, Tin plated



PCB LAYOUT



**MARLIN P. JONES & ASSOC., INC.**