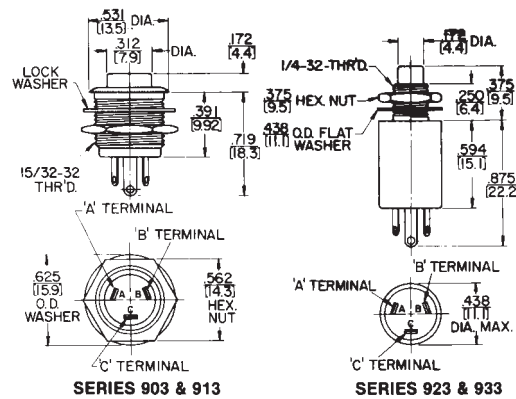


Switchcraft

18472-SW

ROUND PUSHBUTTON SWITCHES



903, 913 SERIES, FRONT MOUNT, .469 MOUNTING HOLE
923, 933 SERIES, FRONT MOUNT, .250 MOUNTING HOLE

1. 903
2. 923

These small momentary switches are completely enclosed in rugged metal housing. Front or rear-panel mount types offer 1-A, 1-B, 1-C, or 1-D switching. Red or black pushbuttons and solder terminals are standard. Series 903 and 913 are front mount in .469 inch (11.91 mm) diameter hole in panels up to .297 inch (7.54 mm) thick. Series 923 and 933 are rear mount in .250 inch (6.35 mm) diameter hole in panels up to .156 inch (3.96 mm) thick. Mounting hardware is supplied.

SPECIFICATIONS

Body: Copper alloy, plated.

Pushbutton: Molded red or black plastic, integral with shaft.

Insulation: Rigid plastic.

Springs: Integral contacts, plated.

Ratings: 250 mA, 30 W maximum, AC, non-inductive load.

Solder Terminals: Copper alloy, silver-plated.

Locknuts: Copper alloy, plated.

Series 903, 913: P-1053-1.

Series 923, 933: P-1150-1.

Lockwasher: Series 903, 913: Steel, P-1060-3

Flat Washer: Series 923, 933: Steel, plated,
S-1790-1

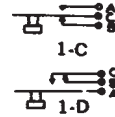
SPECIAL ORDER FEATURES

* Other pushbutton colors.

* Legends.

PART NUMBERS

Panel Mounting	Pushbutton Color/ Part Number		Circuit
	Red	Black	
Front	903	913	1-C
	*903D	*913D	1-D
Rear	923	933	1-C
	*923D	933D	1-D



* Special order only; contact Switchcraft for price and delivery.