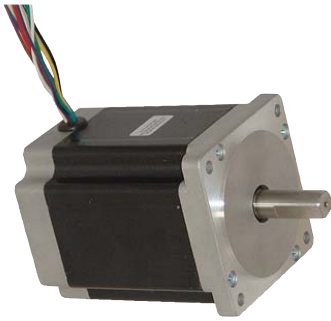


18190-MS



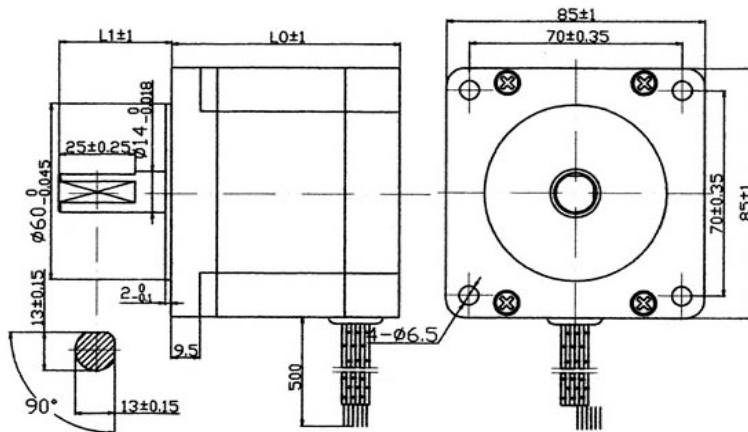
General Specifications

Step Angle-----1.8°±5%
 Insulation Resistance-----500V DC 100MΩ Min
 Insulation Strength-----50Hz 1Minute 500V Min
 Ambient Temperature -----20° C~+50° C
 Temperature Rise-----80° C Max.
 Radial Play-----0.02mm Max.
 End Play-----0.1-0.3mm

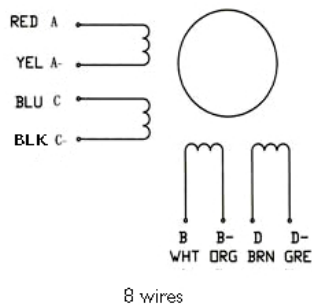
Electrical Specifications

| Model | Phase Number | Current (A) | Resistance (Ω) | Inductance (mH) | Max.Static torque (Kg.cm) | Moment of inertia (g.cm ²) | Weight (Kg) | Overall Dimension | | Connection Diagram | Figuration Drawing |
|---------------|--------------|-------------|----------------|-----------------|---------------------------|--|-------------|-------------------|--------|--------------------|--------------------|
| | | | | | | | | LO(mm) | L1(mm) | | |
| 85BYGH450B-03 | 4 | 2.0 | 3.0 | 12 | 48 | 2700 | 3.5 | 113 | 37 | Wdg.B | |

Mechanical Dimensions



Wiring Diagram



MARLIN P. JONES & ASSOC., INC.

P.O. Box 530400 Lake Park, FL 33403
 800-652-6733 FAX 561-844-8764
 WWW.MPJA.COM