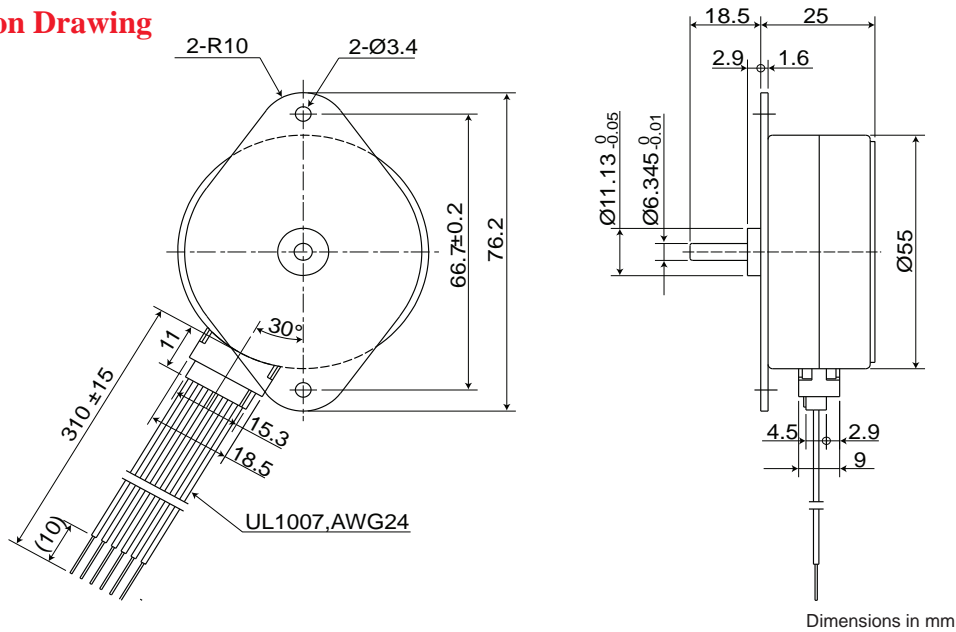


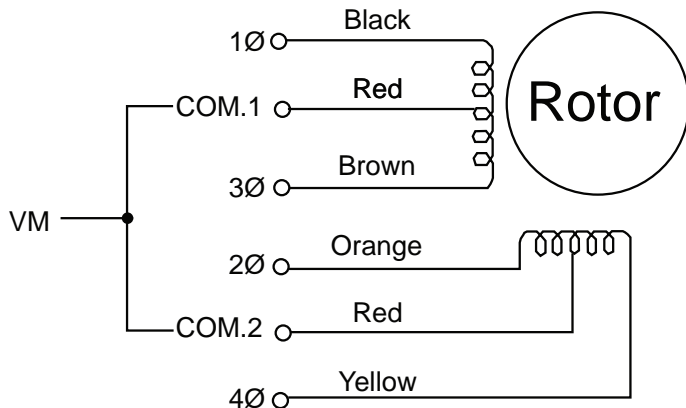
Parameters	Units	PFC55-48B1
Drive Mode		Unipolar
Excitation Mode		Full-step (2-2 ex)
Step Angle	°	7.5
Step Angle Tolerance	%	±5
Steps per Revolution		48
Voltage	V	24
Winding Resistance	Ω/Ø	145
Winding Inductance	mH/Ø	145
Holding Torque	mN•m	120
Rotor Inertia	kg•m ²	40.0 x 10 ⁻⁷
Starting Pulse Rate (max)	pps	300
Slewing Pulse Rate (max)	pps	310
Ambient Operating Temp. Range	°C	-10 to +50
Temperature Rise	K	55
Mass	g	300

Note: Above data is based on Rated Voltage Drive. The magnet type is Anisotropic.

Outline Dimension Drawing



Unipolar Wiring Diagram



No.	CW				No.
	BLK	BRN	ORN	YLW	
1	ON	OFF	ON	OFF	4
2	OFF	ON	ON	OFF	3
3	OFF	ON	OFF	ON	2
4	ON	OFF	OFF	ON	1