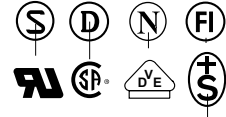




**DE**SERIES

**SNAP-IN MOUNTING COMPACT IEC CONNECTOR FILTERS**



**INTRODUCTIONS**

1. Snap-in mounting type to save more on labor cost. Compact and reliable at low cost.
2. DENG3B: UL, CSA, VDE, SEV, SEMKO, DEMKO, NEMKO, FIMKO. DENG3L: UL, CSA, VDE.
3. Bleeder resistors can be added for "G3B", "W3B" type with suffix "-R" on part numbers.
4. Optional side snap-in mounting clip type with suffix (H) on part numbers.

**COMPONENTS**

PART NO.	C <sub>x</sub> (uF)	L (mH)
01DENG3B/W3B/-R	0.033	5
01DENG3L	-	0.34
03DENG3B/W3B/-R	0.033	1.8
03DENG3L	-	0.08
06DENG3B/W3B/-R	0.033	0.6
06DENG3L	-	0.016
10DENG3B/W3B/-R	0.033	0.18

**MINIMUM INSERTION LOSS IN dB**

COMMON MODE (L-G) IN 50 OHM SYSTEM						
CURRENT RATING	FREQUENCY-MHz					
	.15	.50	1.0	5.0	10	30
1A (G3B) (W3B)	28	40	45	45	45	45
3A (G3B) (W3B)	22	30	35	45	45	45
6A (G3B) (W3B)	12	20	25	40	45	45
10A (G3B) (W3B)	4	10	15	30	38	45
1A (G3L)	3	10	15	32	30	20
3A (G3L)	1	2	5	25	25	20
6A (G3L)	0	0	1	10	15	25
DIFFERENTIAL MODE (L-L) IN 50 OHM SYSTEM						
1A (G3L)	7	15	20	32	27	20
3A (G3L)	1	5	10	25	25	20
6A (G3L)	0	0	2	10	15	25

**MECHANICAL CONSTRUCTION**



NG3B(H)  
(Optional Wire Type/Solder Lug)

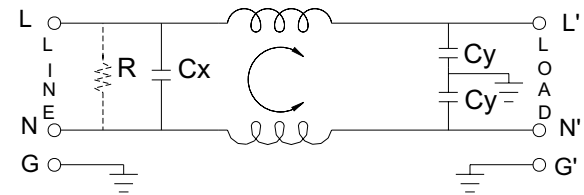
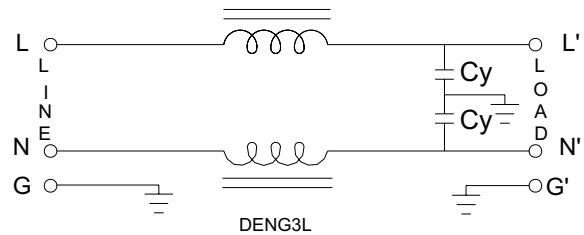


NG3B  
(Optional Wire Type/Solder Lug)

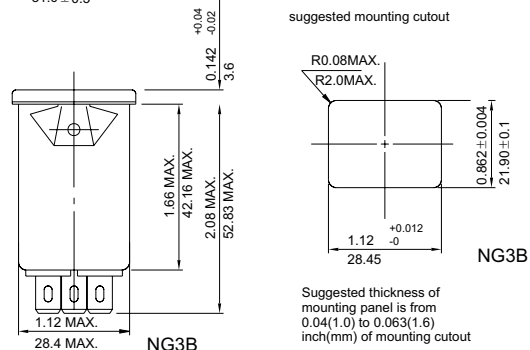
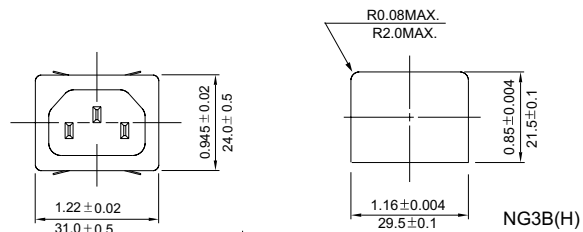
**SPECIFICATIONS**

1. Maximum leakage current each line-to-ground @ 115VAC 60Hz: 0.2mA @ 250VAC 50Hz: 0.4mA
2. Hipot rating (one minute) line-to-ground: 2250VDC line-to-line: 1450VDC
3. Operating frequency: 50/60Hz
4. Rated voltage: 115/250VAC

**ELECTRICAL SCHEMATIC**



C<sub>y</sub>: 2200pF  
C<sub>y</sub>: 1000pF(G3L)



UNIT: INCH/mm