

# MARLIN P. JONES & ASSOC., INC.

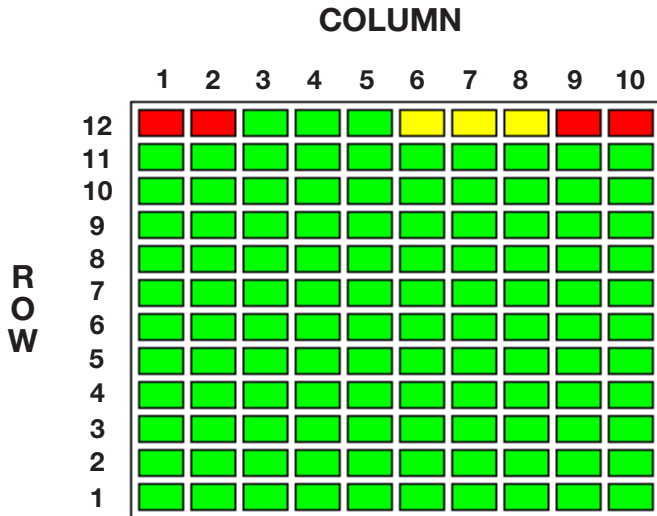
## 18050-OP

### GENERAL INFORMATION

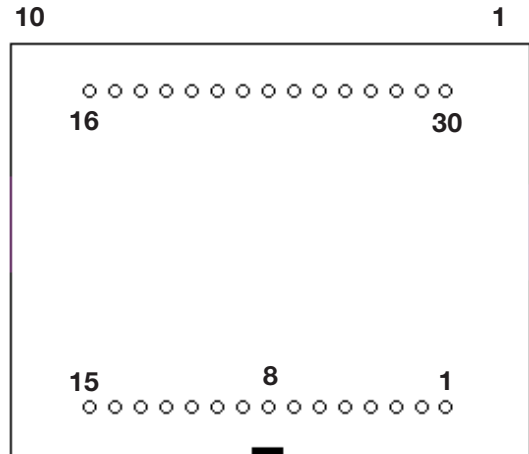
TYPE: X/YY Matrix

Color	Vf	mCd	Dominant
RED	1.9 Typ @ 20mA	3-7	660nm
GREEN	2.1 Typ @ 20mA	3-5	565nm
YELLOW	2.2 Typ @ 20mA	3-5	585nm

Dot Size: Rect. 5.5mm X 3mm  
 Spacing: 2mmH/V between Dots  
 Gray Face/Diffused White Lens  
 Size: 66mm X 48mm X 15mm



FRONT VIEW

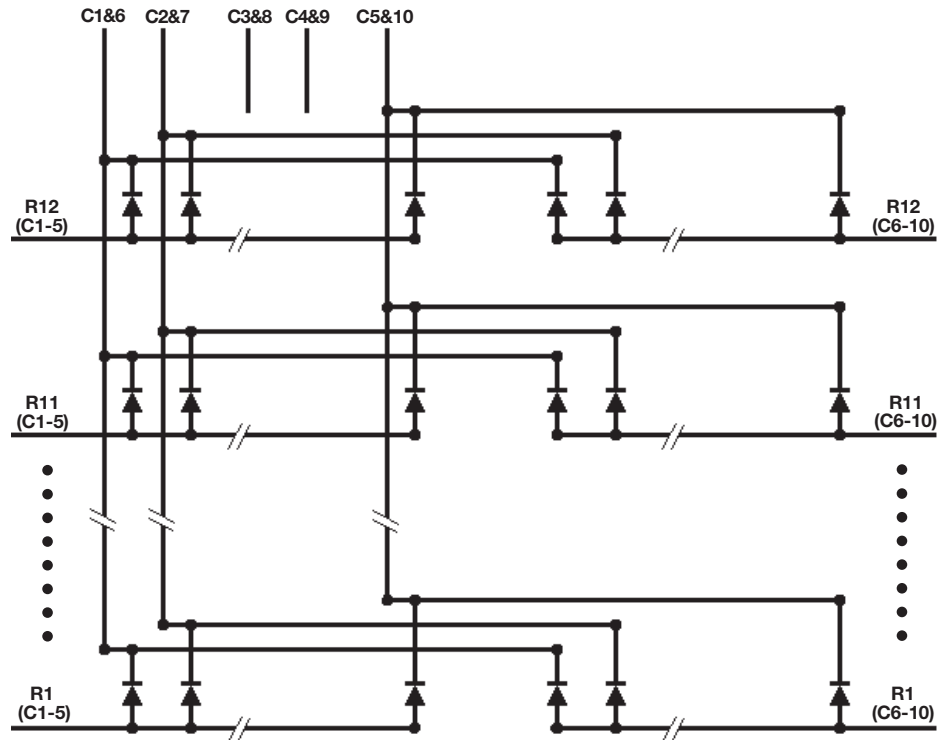


TAB ON BOTTOM CENTER

REAR VIEW

### PIN CONNECTIONS

PIN	FUNCTION	PIN	FUNCTION
1	R6 (C1-5)	30	R7 (C1-5)
2	R5 (C1-5)	29	R8 (C1-5)
3	R4 (C1-5)	28	R9 (C1-5)
4	R3 (C1-5)	27	R10 (C1-5)
5	R2 (C1-5)	26	R11 (C1-5)
6	R1 (C1-5)	25	R12 (C1-5)
7	C1&6	24	C5&10
8	C2&7	23	NC
9	C3&8	22	C4&9
10	R1 (C6-10)	21	R12 (C6-10)
11	R2 (C6-10)	20	R11 (C6-10)
12	R3 (C6-10)	19	R10 (C6-10)
13	R4 (C6-10)	18	R9 (C6-10)
14	R5 (C6-10)	17	R8 (C6-10)
15	R6 (C6-10)	16	R7 (C6-10)



WIRING DIAGRAM

