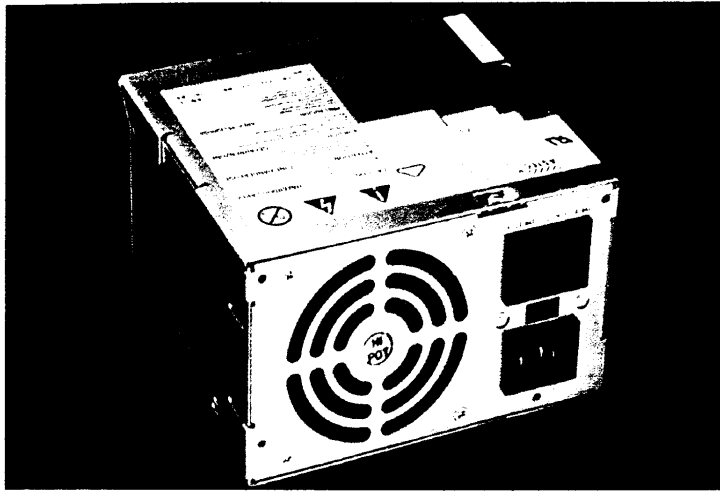


SA SERIES

300 WATTS



SA301-3400

300 Watts • Multiple Output

The SA301-3400 is a 300 watt, five output, including +5V low power SELV standby voltage, fan cooled, switching power supply which is ideally suited and packaged for small footprint desk-top PC/Server/Workstation applications. This design is complete with remote on/off, input voltage selection switch, cable harnesses, AC input receptacle, and an AC convenience outlet.

SPECIAL FEATURES

- +5VSB Stand-by supply (SELV)
- Remote on/off
- Energy star
- High efficiency
- Built in EMI filter (CISPR 22 Class B)
- UL, CSA and VDE approvals
- High MTBF
- Power good signal
- AC Output receptacle

ENVIRONMENTAL

Operating temperature:
+10°C to +50°C ambient

Storage temperature:
-40°C to +70°C

Cooling: Self contained fan

MTBF: >100,000 hours at full load
and 25°C ambient conditions

ELECTRICAL SPECIFICATIONS

Input

Input range 90-135/180-265 VAC, Switch select
Frequency 47 - 63 Hz
Input current 6 A @ 115 VAC; 3 A @ 230 VAC
Peak inrush current . . < 50 A peak @ 115 VAC, cold start at 25°C
Efficiency > 65% @ full load, nominal line
EMI/RFI. FCC Part 15J, Class B & CISPR 22 Class B

Output

Maximum power 300 watts
Hold-up time 20 ms at full load @ 115 VAC
Transient response . . All outputs shall stay within regulation for 20% load change from 10Hz - 1KHz and 50% duty cycle condition

Overcurrent

protection +5V < 46 A; +12V < 20 A

Overvoltage

protection +5 V - trip point < 7.0 V; recycle AC to reset

Short circuit

protection Latch off except +5VSB if +5V, +12V, -12V or -5V rails shorted to secondary return. Output short circuit (<0.03 ohm) Recycle AC to reset.

Leakage current < 1.0 mA @ 250 VAC to GND

Power good signal . . . TTL compatibility. Power good signal goes high after turn-on 100-500 ms. Signal goes low at least 1 ms before loss of regulation.

Remote on/off

PS-on Active low, to turn main outputs on. TTL compatible.

SAFETY & FILE NUMBERS

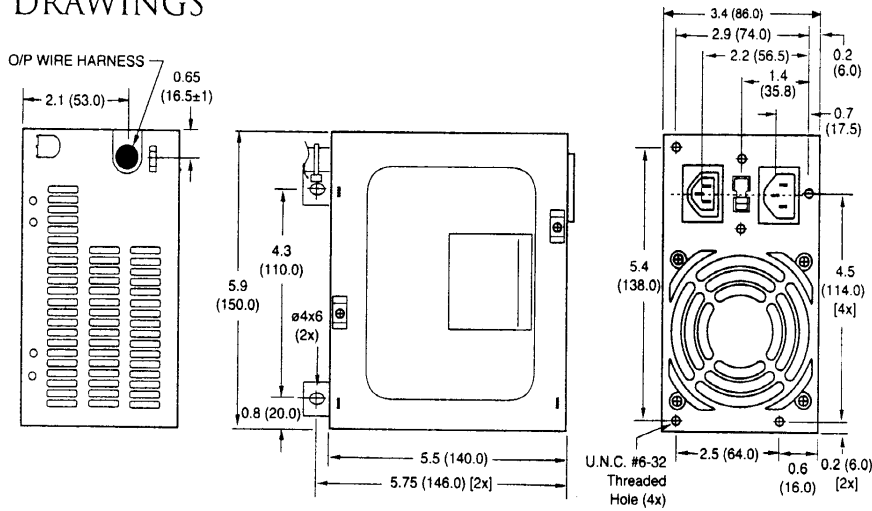
VDE	0805	11774-3336-1253
UL	1950	E132002
CSA	22.2-234	LR53982C
EN	60950 / with Nordic Deviation	
IEC	950	
NEMKO		P95101489

SPECIFICATIONS FOR SA301-3400

Output	Voltage	Regulation	Minimum Load	Maximum Load	Peak Load ¹	Ripple P/P (PARD) ³
V1	+5 V	+ 5%, - 4%	3.0 A	32.0 A	--	50 mV
V2	+12 V	± 5%	0.5 A	12.0 A	15 A	120 mV
V3	-12 V	± 10%	0 A	1.0 A ²	--	120 mV
V4	-5 V	± 10%	0 A	0.5 A ²	--	70 mV
V5	+5 VSB	± 10%	0 A	0.1 A	--	50 mV

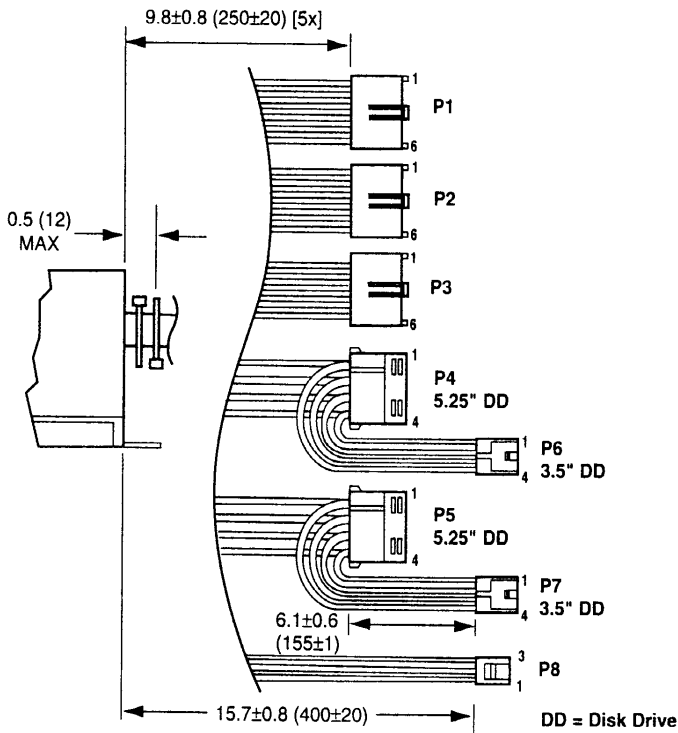
- 15 seconds maximum
- Peak-to-peak with 20 MHz bandwidth and 10 µF in parallel with a 0.1 µF capacitor.
- Total continuous current drawn from both -5V and -12V rails should not exceed 1A.

DRAWINGS



NOTES

- Specification subject to change without notice.
- All dimensions are in inches (mm).
- Warranty: 1 year
- Weight: 2.88 lb / 1.30 kg



PIN ASSIGNMENTS

Connector	Pin	Output	Mating Connector
P1	1	Power OK	Molex 8619-0602 or equivalent
	2	+5 V	
	3	+12 V	
	4	-12 V	
	5, 6	Common	
P2	1, 2	Common	Molex 8619-0602 or equivalent
	3	-5 V	
	4, 5, 6	+5 V	
P3	1, 2, 3	+5 V	Molex 8619-0602 or equivalent
	4, 5, 6	Common	
P4, P5 5.25" DD	1	+12 V	Molex 8981-4V or equivalent
	2	Common	
	3	Common	
	4	+5 V	
P6, P7 3.5" DD	1	+5 V	Amp 171825-4 Vertical MT
	2	Common	
	3	Common	
	4	+12 V	
P8	1	5 VSB	Amp 171825-3 Vertical MT
	2	PS on	
	3	Common	