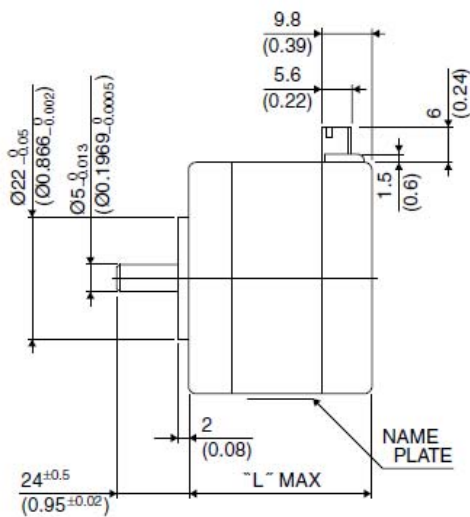
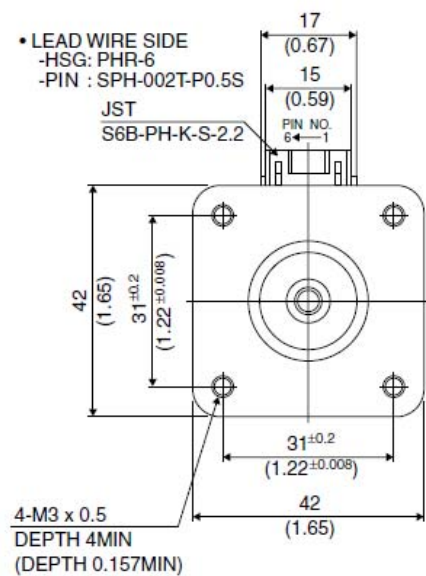


# 42□ 1.8°

# 17PM-K

1.8°

## ■ 外觀図 Outline



Hybrid

UNIT: mm  
(inch)

結線表 PIN NO. vs. PHASE

相 (PHASE)	A	A COM	$\bar{A}$	B	B COM	$\bar{B}$
ピン番号 (PIN NO.)	4	5	6	3	2	1

	"L"
17PM-K7**	26 (1.02)
17PM-K2**	30 (1.18)
17PM-K0**	34 (1.34)
17PM-K3**	38 (1.50)
17PM-K1**	42 (1.65)
17PM-K4**	48 (1.89)
17PM-KA**	60 (2.36)