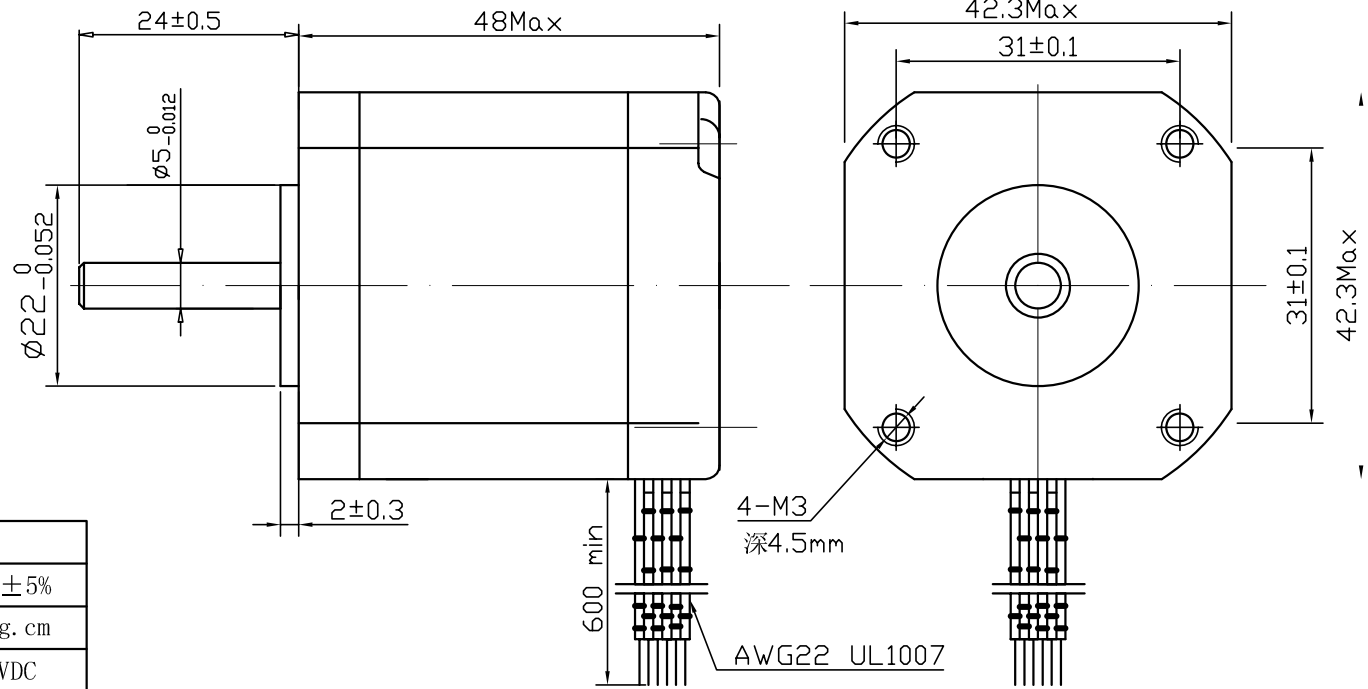
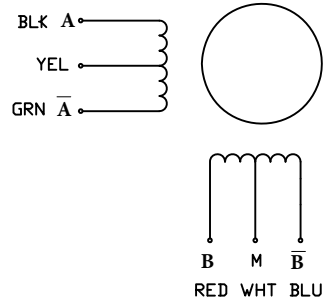


Wiring Diagram



SPECIFICATIONS

1	Number of Phase	4
2	Step Angle	1.8° ±5%
3	Holding Torque	4.0 kg. cm
4	Voltage	5.2 VDC
5	Current	1.0 A
6	Phase Resistance (20°C)	5.2 ±10%Ω
7	Phase Inductance (1KHz)	5.5±20%mlH
8	Rotor Inertia	g • cm ²
9	Insulation Resistance	100MΩ 500VDC
10	Insulation Class	B (130°C)
11	Ambient Temperature	-20°C to 50°C
12	Ambient Humidity	15% to 95%
13	Motor Weight	Approx 0.35kg
14		

SEQUENCE (2 PHASE)

STEP	A	B	\bar{A}	\bar{B}	
1	+	+	-	-	CW ↓ CCW ↑
2	-	+	+	-	
3	-	-	+	+	
4	+	-	-	+	

42BHH48-100A-14

42BYGH4806

Information obtained from or supplied by Mpja.com or Marlin P. Jones and Associates inc. is supplied as a service to our customers and accuracy is not guaranteed nor is it definitive of any particular part or manufacturer. Use of information and suitability for any application is at users own discretion and user assumes all risk.

www.mpja.com

Title			NEMA 17 STEP MOTOR		
Size	Document Number	17453-MS		Rev.	
Date	Sheet				