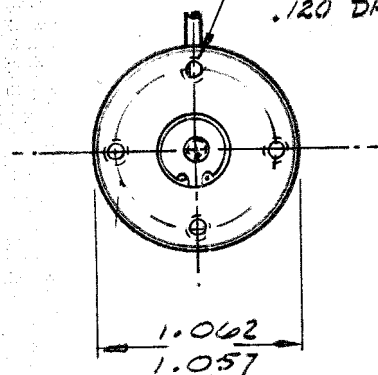


LBI1ABM-4R

(4) 4-40UNC-2B EQ SP W/IN  
 .005 D TD ON A .812 D (BSC).  
 .120 DP MIN.

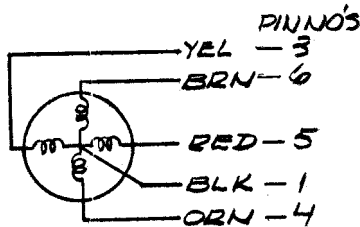
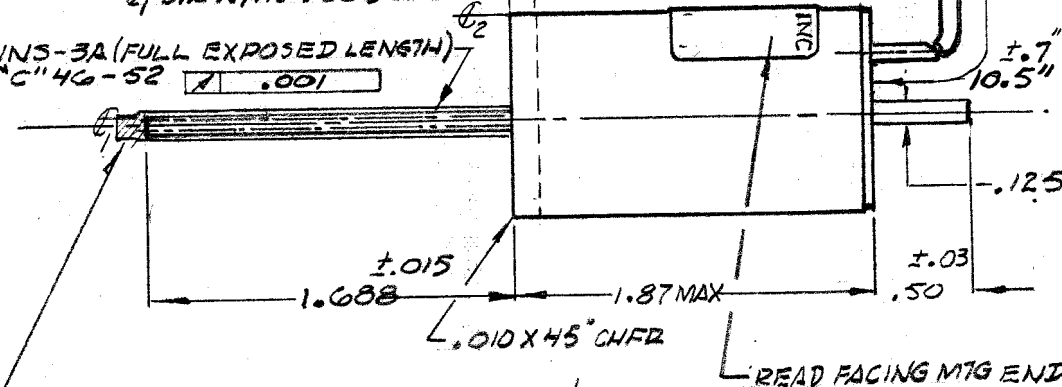


MIN SPAN, CNCTR TO  
 Ø, DIA W/IN .003 TIR

# 4-56 UNS-3A (FULL EXPOSED LENGTH)  
 ROCK C"46-52  $\pm .001$

(A) TD SHALL BE FULLY COVERED W/ PVC  
 TUBING

AMP 207376-1  
 (METRIMATE REC)  
 SHRINK TUBING  
 (8.5 ± .5 IN LG)



- NOTES:
- Ø<sub>2</sub> DIA, (.10 MIN LENGTH) CNCTR TO Ø<sub>1</sub> W/IN .003 TIR.
  - END PLAY: .0005 MAX WITH A 16 OZ REV'G LOAD.
  - SHIPPED WITH CLOSING WASHER AT EACH END.

SWITCHING SEQ FOR C-CW ROTATION

STEP	BRN	RED	ORN	YEL	BLK
1	-	-	0	0	+
2	0	-	-	0	+
3	0	0	-	-	+
4	-	0	0	-	+

SPECIFICATIONS

VOLTAGE	V DC	24
AMPS / PH		0.96
RES / PHASE	(OHMS) ±10%	25
INDUCTANCE / PH	(MH @ 1000 HZ)	20
STEP ANGLE	(DEG)	15
STEP ACCURACY	(NOT CUMULATIVE)	±3%
HOLDING TORQUE	(OZ-IN)	6.0 MIN
ROTOR INERTIA	(GM-CM <sup>2</sup> )	.7 MAX

ST  
 02-9

MATERIAL: \_\_\_\_\_

FINISH: **FLAT BLACK**

FIRST ASSEM: \_\_\_\_\_

THIRD ANGLE PROJECTION

UNLESS OTHERWISE SPECIFIED  
 TOLERANCE ON FRACTIONS DECIMALS ANGLES SURFACES

1/64 .005 MAX

DR'N. BY: *WEL 5/8/90*

CHK'D. BY: *W 5/7/90*

APP. BY: \_\_\_\_\_

APP. BY: *DP 6/7/90*

APP. FOR PROD. \_\_\_\_\_

REF: **2375AB-33**

TITLE: **OUTLINE DRAWING**

STEPPING MOTOR

SCALE: **FULL** SHEET: **105/1** DRAWING NO.: **LBI1ABM-4R**

**EASTERN AIR DEVICES**  
 DOVER, NEW HAMPSHIRE, U. S. A.

SYM.	REVISION	C.O. NO.	DR.	DATE
B	ADD NOTE 3	92-118	WEL	4/11/92
A	ADD PVC	90-173	WEL	6/1/90

A