

DC RANGES 1 1/2"

DC MICROAMMETERS (Pivot & Jewel)

Range	Ω Res.	120-G
0-50	4000	152-0977
0-100	1170	152-0979
0-200	400	152-0981
0-500	210	152-0984

DC MICROAMMETERS (Taut Band)

Range	Ω Res.	120-G
0-50	2300	152-0992
0-100	825	152-0994

DC MILLIAMMETERS

Range	Ω Res.	120-G
0-1	55	152-0956
0-5	8.5	152-0961
0-10	3.1	152-0962
0-25	2.0	152-0965
0-50	1.0	152-0967
0-100	.50	152-0969
0-200	.25	152-0971
0-500	.10	152-0974

DC AMMETERS

Range		120-G
0-1	—	152-0938

DC MILLIVOLTMETERS

Range	Ω Res.	120-G
0-50	6.7	152-0927

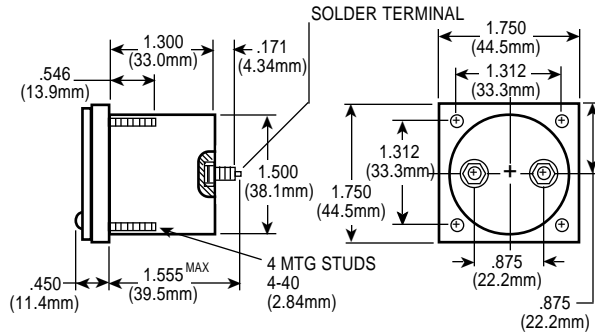
DC VOLTMETERS (1000 Ohms/Volt)

Range	Ω / Volt	120-G
0-5	1000	152-0905
0-10	1000	152-0906
0-25	1000	152-0909
0-30	1000	152-0910
0-50	1000	152-0911
0-100	1000	152-0913
0-150	1000	152-0914

**For additional ranges,
please contact factory.**



120-G



Model 120-G Scale Length: 1.48"

