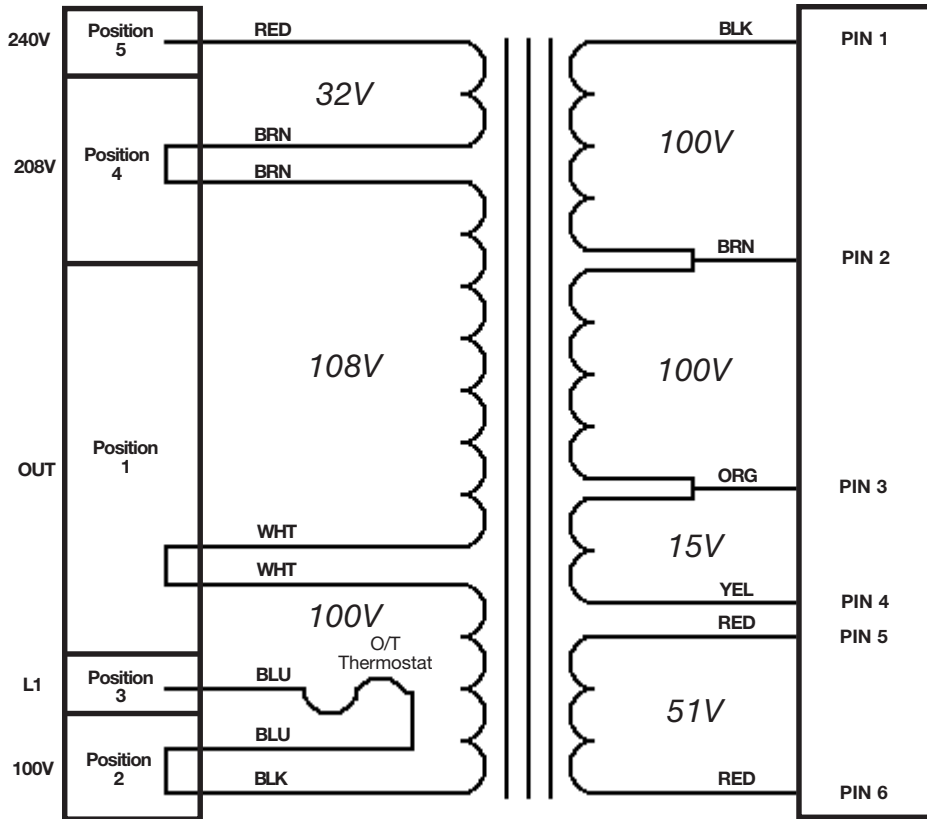


14340 -TR

TABLE INPUT BLOCK

OUTPUT CONNECTOR



INPUT TERMINAL BLOCK

OUTPUT CONNECTOR

Input 240VAC
 Line 1 to Position 2 (Black/Blue)
 Line 2 to Position 5 (Red)

Input 208VAC
 Line 1 to Position 2 (Black/Blue)
 Line 2 to Position 4 (Brown)

Overtemp Thermostat
 Connected between:
 Position 2 (Line 1 Black/Blue)
 Position 3 (Blue)
 This is a sensor switch. Cannot
 be used to interrupt primary Input

Spec. Ratings
 Output Voltages listed are
 Approximate Nominal Values
 LOAD 1: 100V @ 2A Pins 1-2
 LOAD 2: 100V @ 2A Pins 2-3
 LOAD 3: 200V @ 5.5A Pins 1-3
 LOAD 4: 51V @ 2A Pins 5-6

*NOTE: Load 5: Service load for
 use by tech. support test equip*
 LOAD 5: 115V Pins 4-2

Max output: 1600VA
 LOAD Max: 215V Pins 1-4
 LOAD Max: 265V Pins 1-6
 jumper Pins 4-5



MARLIN P. JONES & ASSOC., INC.

P.O. Box 530400 Lake Park, FL 33403
 800-652-6733 FAX 561-844-8764
 WWW.MPJA.COM